

Cweco

Commercial Washroom Equipment Company Incorporated

P.O. Box 2456, Gardena, CA 90247-0456 310-538-9440

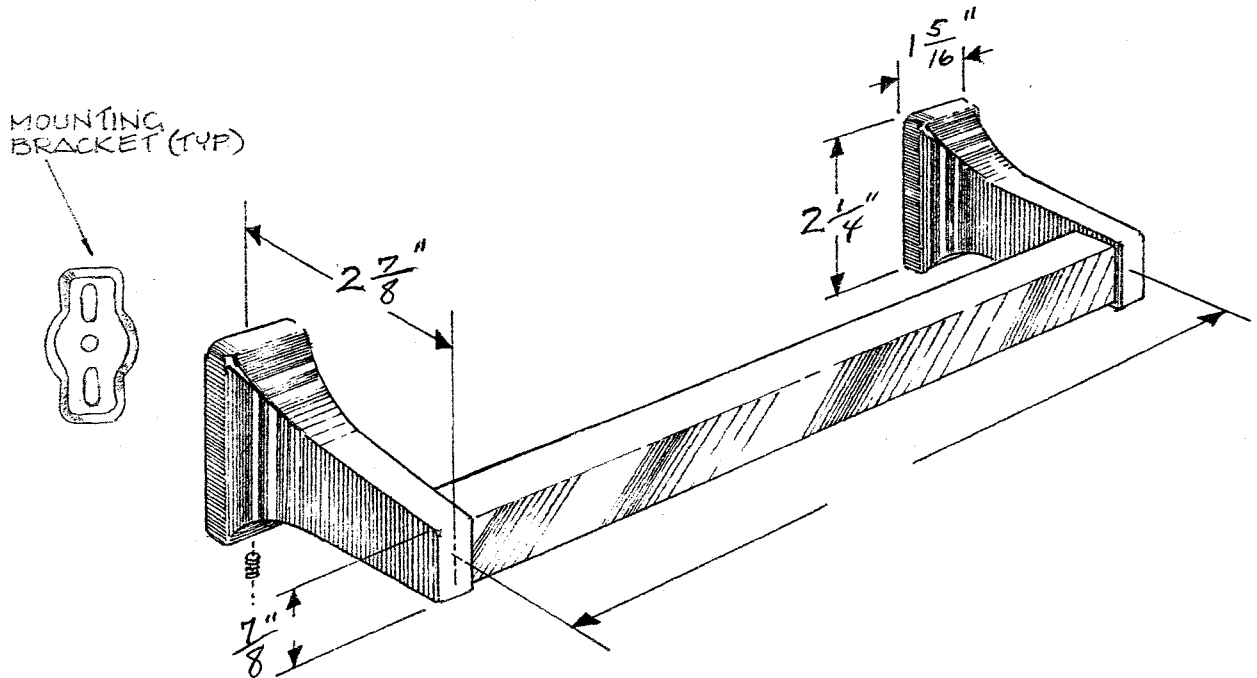
1-800-292-9326 Outside CA FAX: 310-715-9188

FAX 1-800-232-9326

351A-
351SS-

3/4" ALUMINUM OR STAINLESS STEEL TOWEL BAR SET

(AVAILABLE IN 18", 24", 30" OR 36" LENGTHS- SPECIFY)



CONSTRUCTION:

Brackets are 3/4" chrome plated zinc die-cast (zamak) designed for concealed screw mounting. Bars are 3/4" square x.015 polished aluminum (A) or .012 type 430 polished stainless steel (SS).

INSTALLATION:

Secure metal wall plates to studs or solid backing with mounting screws provided. Slip brackets over wall plates and tighten set screws until secure.

SPECIFICATION:

Aluminum towel bar set shall be 351A- (Specify 18, 24, 30 or 36) or stainless steel towel bar set shall be 351SS- (Specify 18, 24, 30 or 36) by CWECO, Inc.